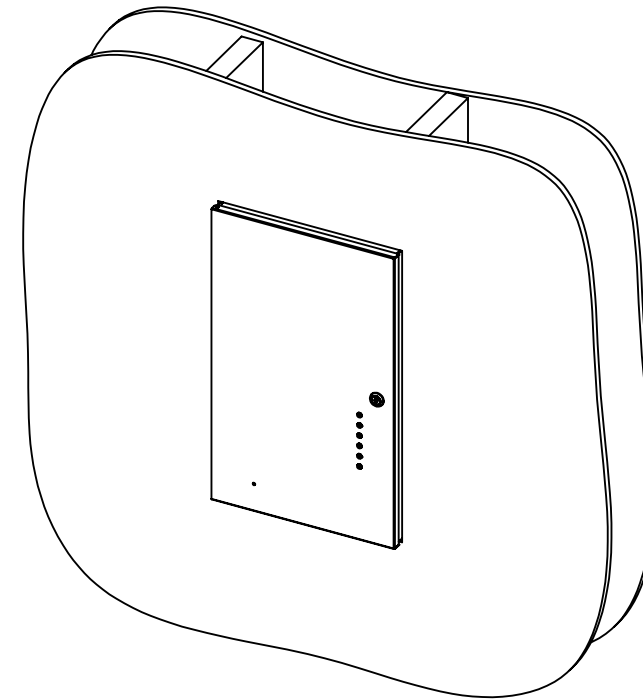
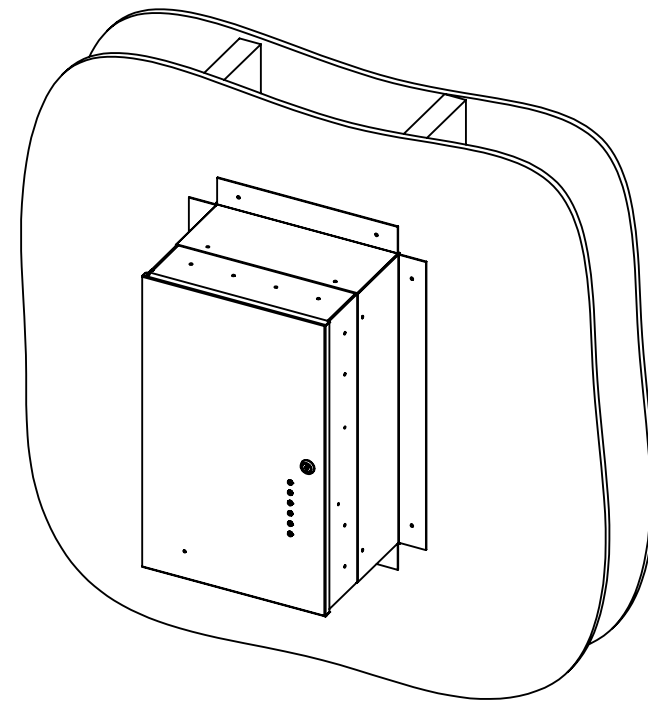
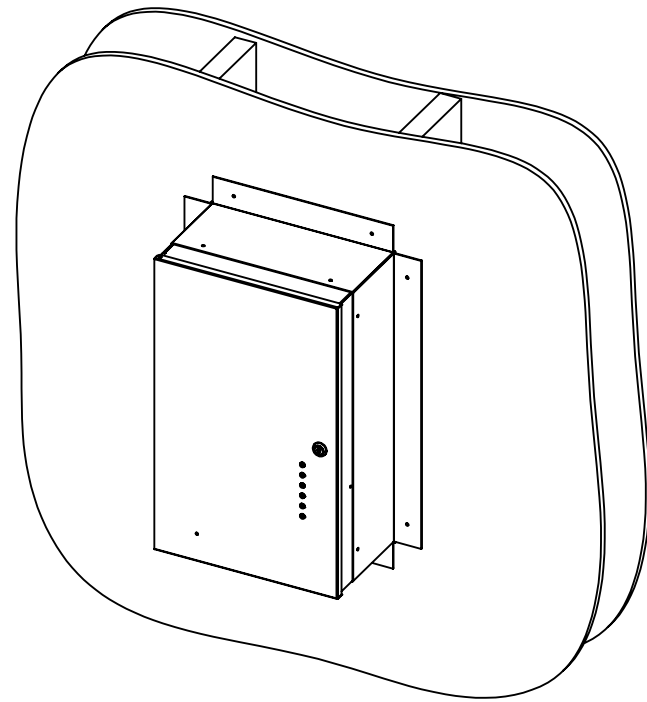


ITEM	SURFACE MOUNT/QTY.	PART NUMBER	DESCRIPTION/NAME	LENGTH/-
1	1	WALL	2"x6" WOOD STUD AND DRYWALL	-
2	1	ME180	CONTROLLER	-
3	2	ME221	CONTROLLER MOUNTING BRACKET, SHORT	-
4	2	ME222	CONTROLLER MOUNTING BRACKET, LONG	-



REV	BY	DATE	DESCRIPTION
DRAWING SPECIFICATIONS (UNLESS NOTED)			RAM MANUFACTURING LTD. <small>This drawing and any designs shown are the confidential property of RAM Manufacturing Ltd. and must not be used, copied or communicated in any form without the express written consent of RAM. © 2013 RAM Manufacturing Ltd.</small>
DEC	TOL	DRAWN BY	
.X	±0.060	KZ	RAM
.XX	±0.030	DATE	2016-09-29
.XXX	±0.015	SCALE	1:12
.XXXX	±0.005	SIZE	B
	±0.003	SHEET	1 / 1
			DWG NO
			CRYSTAL/STRATUS ELEVATOR
			CONTROLLER MOUNTING DETAIL
			CONTROLLER MOUNTING
			REV
			A