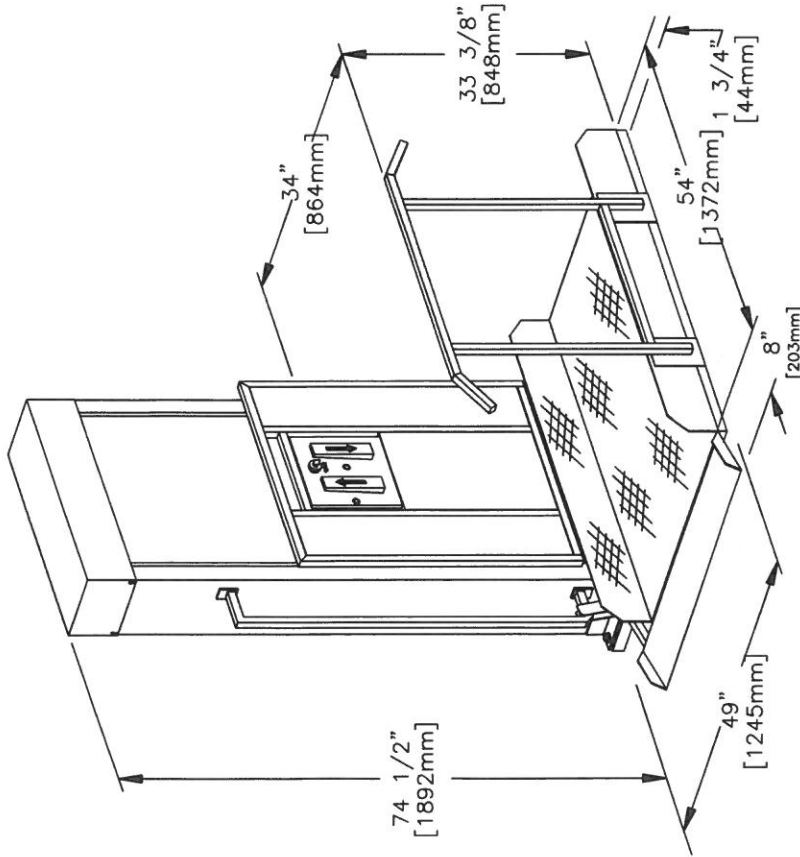


SPECIFICATIONS:


- 34" x 54" [864mm x 1372mm] LIFT PLATFORM
- 49" x 54" [1245mm x 1372mm] FOOTPRINT
- 74-1/2" [1892mm] TOWER HEIGHT
- 0" - 52" [0mm - 1321mm] LIFT RANGE
- MAXIMUM LOAD 750 lbs. [340 Kg.]
- 8 F.P.M [0.04 M/S] LIFT SPEED
- SCREW NUT SYNCHRONOUS BELT DRIVE
- MOTOR: 1/2 H.P. 110V A.C.
- POWER SUPPLY: 110V/1PH/60HZ C/W 15A FUSED DISCON.
- NON-LOAD BEARING BACKUP SAFETY NUT ON LIFT SHAFT
- ZERO-LOAD START IN BOTTOM POSITION
- SAFETY HANDRAIL ON CARRIAGE
- MESH DECK



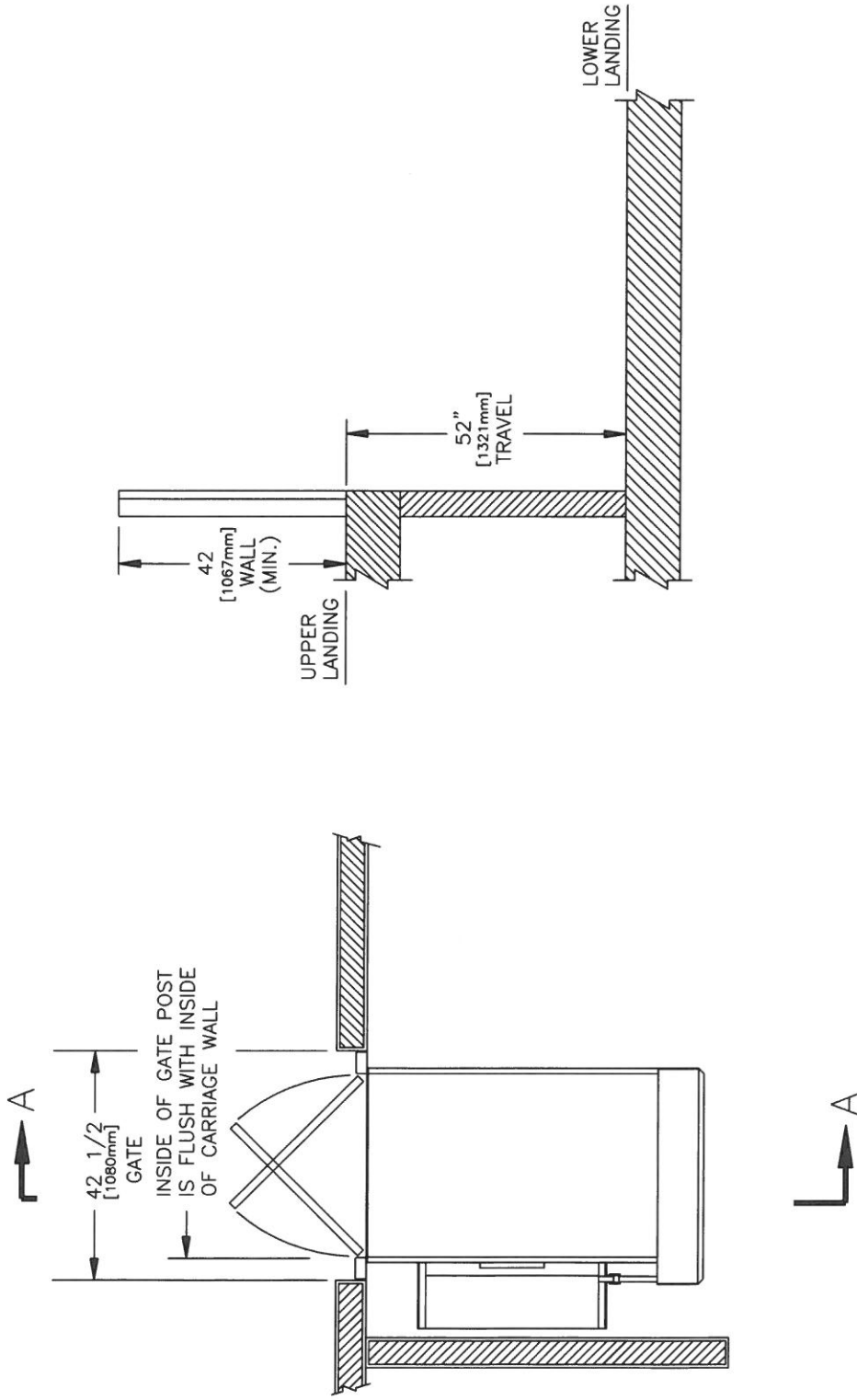
<input type="checkbox"/> Accepted as Shown
<input type="checkbox"/> Revise and Resubmit
<input type="checkbox"/> Accepted as Modified
Date: _____
Per: _____

TRUS-T-LIFT DIMENSIONS

NOTES:
- Dimensions are in inches and [mm]

JOB No.	TOTAL TRAVEL	52 [1321]	INCHES mm	No. OF LANDINGS	2
LOCATION	UNENCLOSED RESIDENTIAL TRUS<T>LIFT SAMPLE DRAWING				
ARCHITECT	-				
GENERAL CONTRACTOR	-				
DWN. BY:		V.Z.			
CHECKED BY:		RAM			
SCALE:	N.T.S.		DATE:	10 / SEP / 14	
TRUS  LIFT			TRUS-T-LIFT ELEVATOR INSTALLATION DETAILS AND SPECIFICATIONS		
DRAWING No. 52CRLDUNNST-750			REV A		

Uppercut Elevators and lifts . Calgary 403.519.3186 Edmonton 587.597.9959



PLAN VIEW SECTION

SECTION A-A

JOB No.	TOTAL TRAVEL [1321]	INCHES mm	No. OF LANDINGS	2
LOCATION	UNENCLOSED RESIDENTIAL TRUS-T-LIFT SAMPLE DRAWING			
ARCHITECT	-	-	-	-
GENERAL CONTRACTOR	-	-	-	-
			TRUS-T-LIFT ELEVATOR INSTALLATION DETAILS AND SPECIFICATIONS	
DWN. BY:	V.Z	DATE: 10 / SEP / 14		
CHECKED BY:	RAM	DRAWING No. 52CRLDUNNST-750		
SCALE:	N.T.S.	REV A		