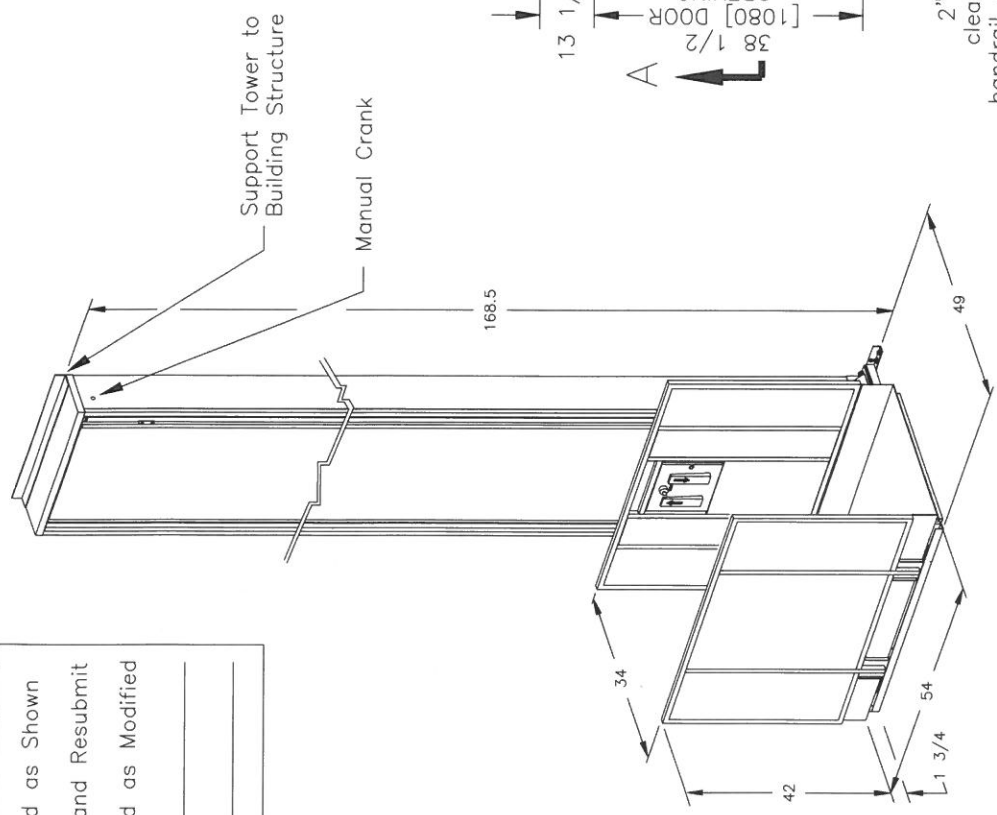
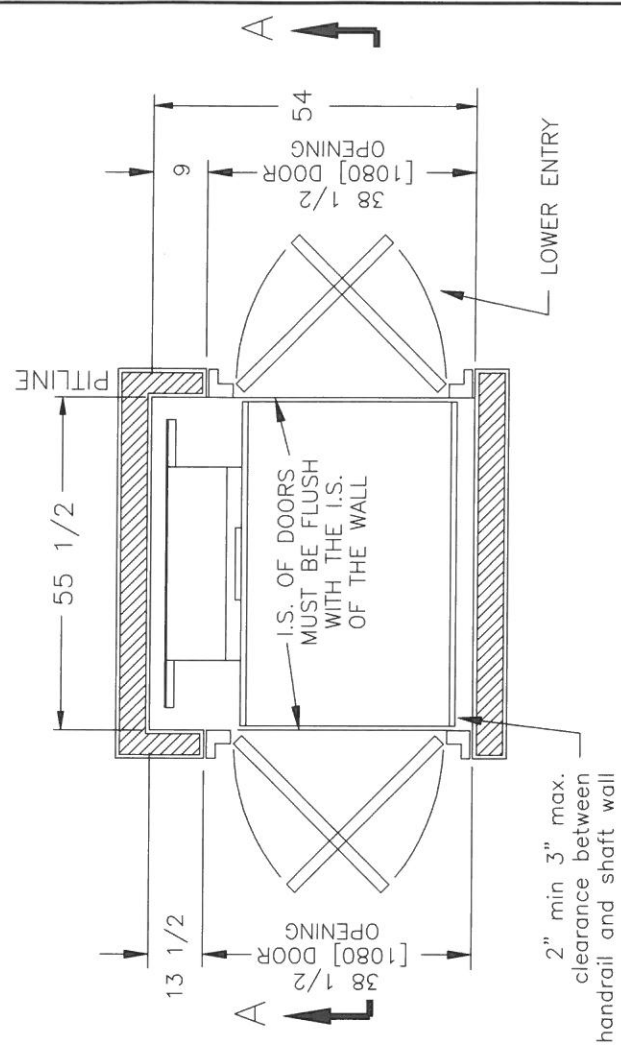


Accepted as Shown
 Revise and Resubmit
 Accepted as Modified
 Date: _____
 Per: _____



- SPECIFICATIONS:**
- 34" x 54" LIFT PLATFORM
 - 49" x 54" FOOTPRINT
 - 168.5" TOWER HEIGHT
 - 0" - 144" LIFT RANGE
 - MAXIMUM LOAD 750 lbs.
 - 8 FEET/MINUTE LIFT SPEED
 - SCREW NUT SYNCHRONOUS BELT DRIVE
 - MOTOR: 1/2 H.P. 110V A.C.
 - POWER SUPPLY: 110V/1PH/60HZ C/W 15A FUSED DISCON.
 - NON-LOAD BEARING BACKUP SAFETY NUT ON LIFT SHAFT
 - ZERO-LOAD START IN BOTTOM POSITION
 - SOLID PLATFORM
 - CUSTOMER SUPPLIED RESIDENTIAL SWING DOORS -

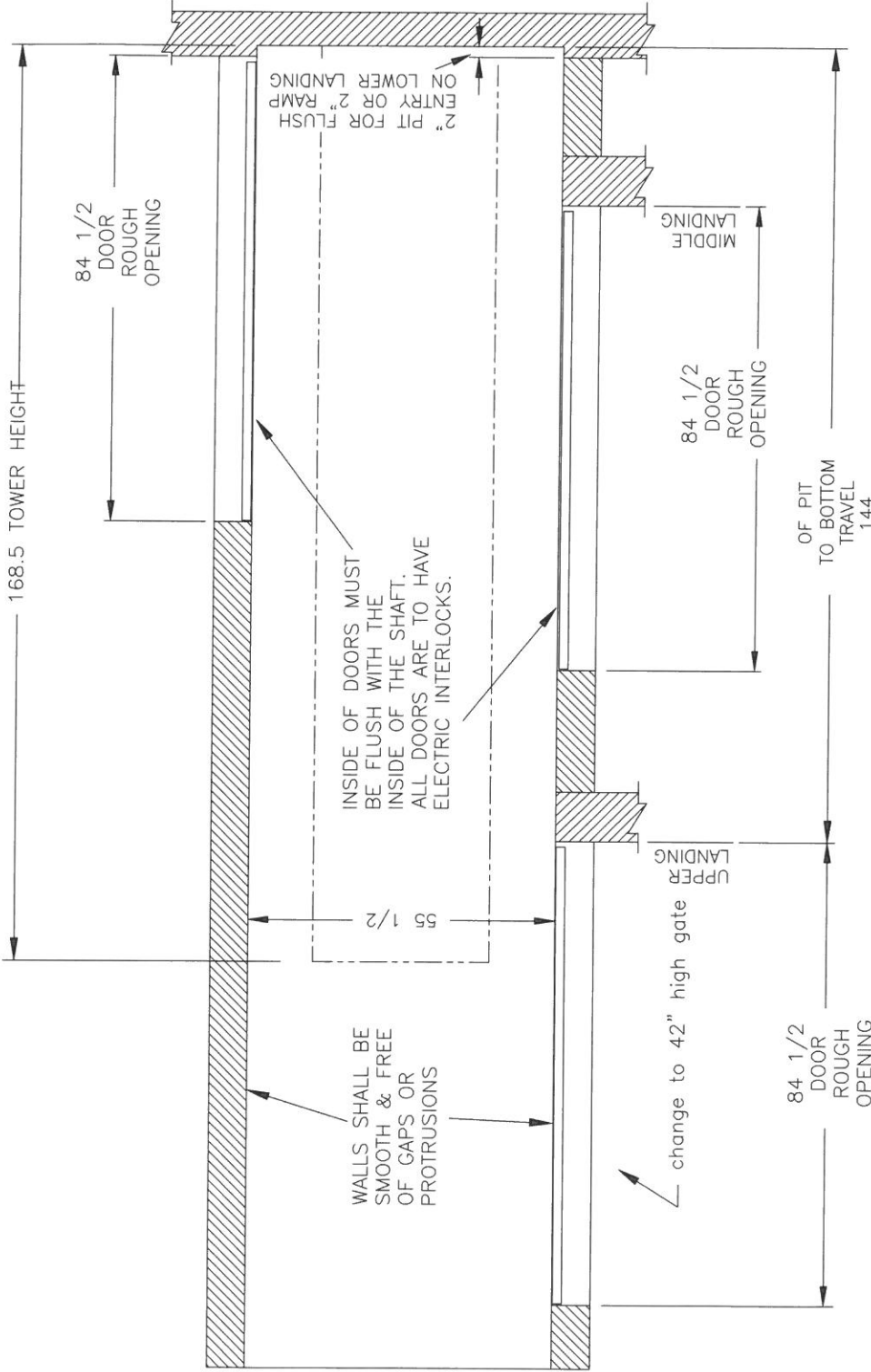


TRUS-T-LIFT DIMENSIONS

TOTAL TRAVEL	144	INCHES	No. OF LANDINGS	3
LOCATION	ENCLOSED	TRUS<T>LIFT	SAMPLE DRAWING	

PLAN VIEW SECTION

DWN. BY: B.H. CHECKED BY:	TRUS-T-LIFT ELEVATOR INSTALLATION DETAILS	DATE: 27/ Apr/10	DRAWING No. 144UCRDEBNSP-3S-B 1/2
ARCHITECT		SCALE: N.T.S.	
GENERAL CONTRACTOR		REV	



SECTION A-A

NOTES:
- Dimensions are in inches



TOTAL TRAVEL	144	INCHES	No. OF LANDINGS	3
LOCATION	ENCLOSED TRUS<T>LIFT SAMPLE DRAWING			

ARCHITECT	DWN. BY:	
	B.H.	
	CHECKED BY:	

GENERAL CONTRACTOR	SCALE:	N.T.S.	DATE:	27/ Apr/ 10	DRAWING No.	144UCRDEBNSP-3S-B 2/2	REV
--------------------	--------	--------	-------	-------------	-------------	-----------------------	-----

TRUS-T-LIFT ELEVATOR
INSTALLATION DETAILS