

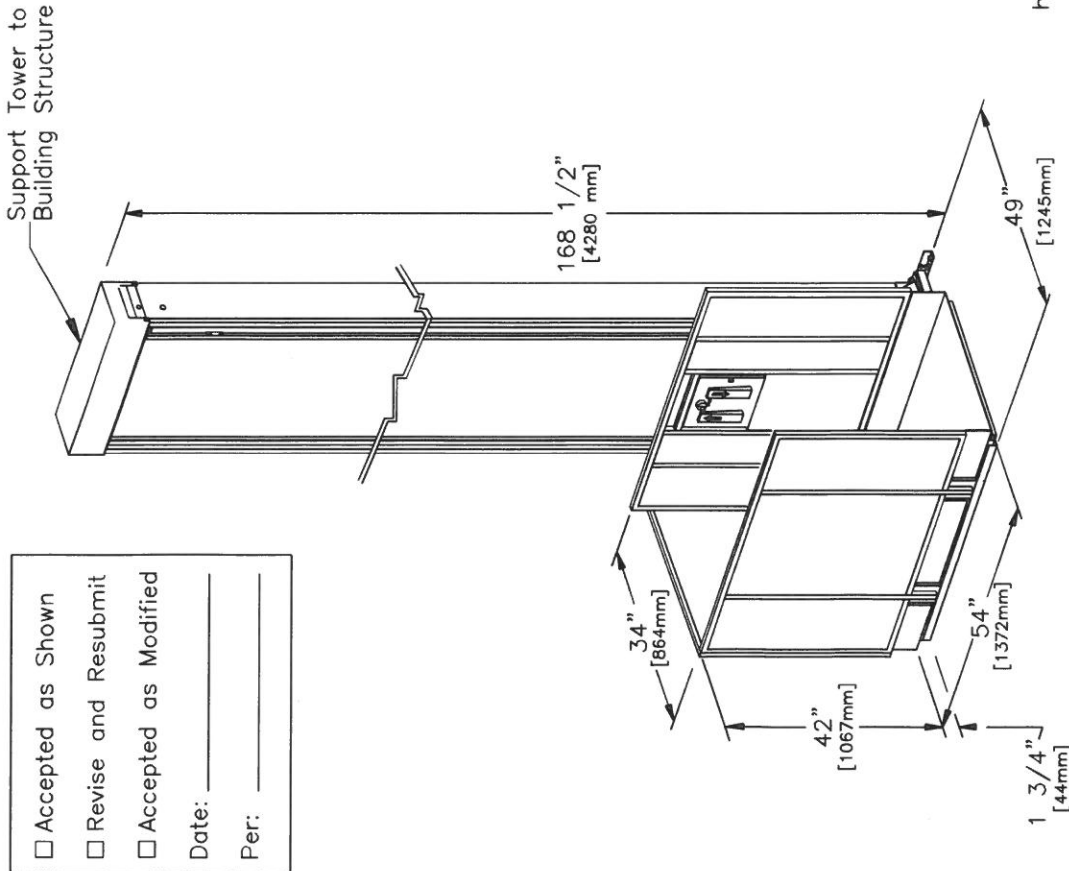
**SPECIFICATIONS:**

- 34" x 54" [864mm x 1372mm] LIFT PLATFORM
- 49" x 54" [1245mm x 1372mm] FOOTPRINT
- 168 1/2" [4280mm] TOWER HEIGHT
- 0" - 144" [0mm - 3658mm] LIFT RANGE
- MAXIMUM LOAD 750 lbs. [340 Kg.]
- 8 F.P.M [0.04 M/S] LIFT SPEED
- SCREW NUT SYNCHRONOUS BELT DRIVE
- MOTOR: 1/2 H.P. 110V A.C.
- POWER SUPPLY: 110V/1PH/60HZ C/W 15A FUSED DISCON.
- NON-LOAD BEARING BACKUP SAFETY NUT ON LIFT SHAFT
- ZERO-LOAD START IN BOTTOM POSITION

\*DESIGNED & BUILT TO MEET ASME A18.1 2008

\*DOORS: UPPER AND LOWER LANDING WITH CUSTOMER SUPPLIED DOORS.

Support Tower to Building Structure



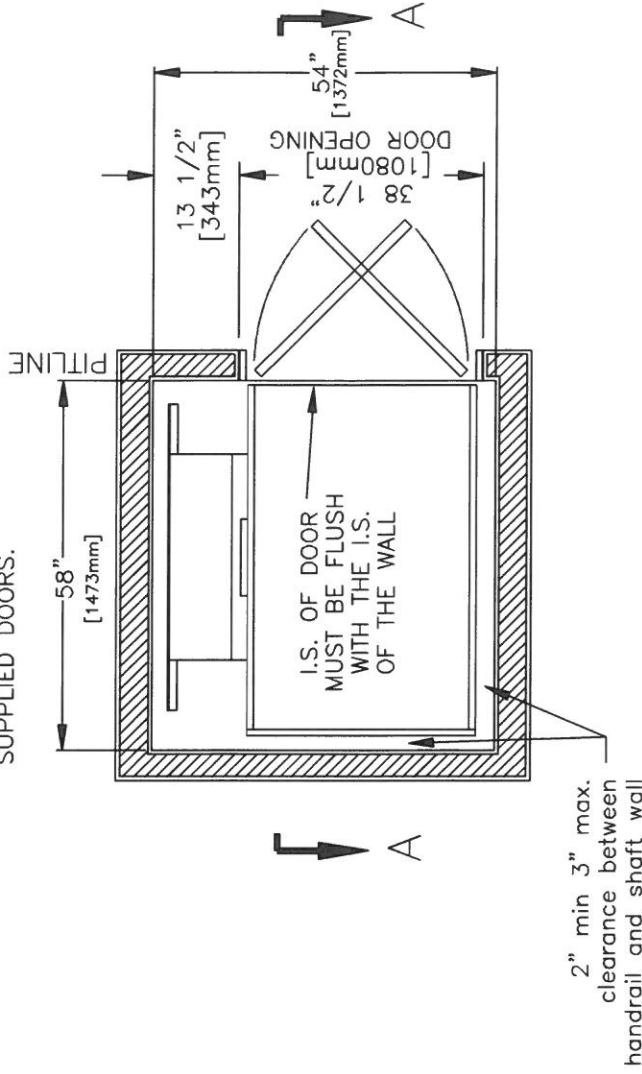
**TRUS-T-LIFT DIMENSIONS**

TOTAL TRAVEL	144	INCHES	No. OF LANDINGS	2
--------------	-----	--------	-----------------	---

ENCLOSED TRUS<T>LIFT SAMPLE DRAWING

ARCHITECT

GENERAL CONTRACTOR



**PLAN VIEW SECTION**



DWN. BY: B.G.

CHECKED BY:

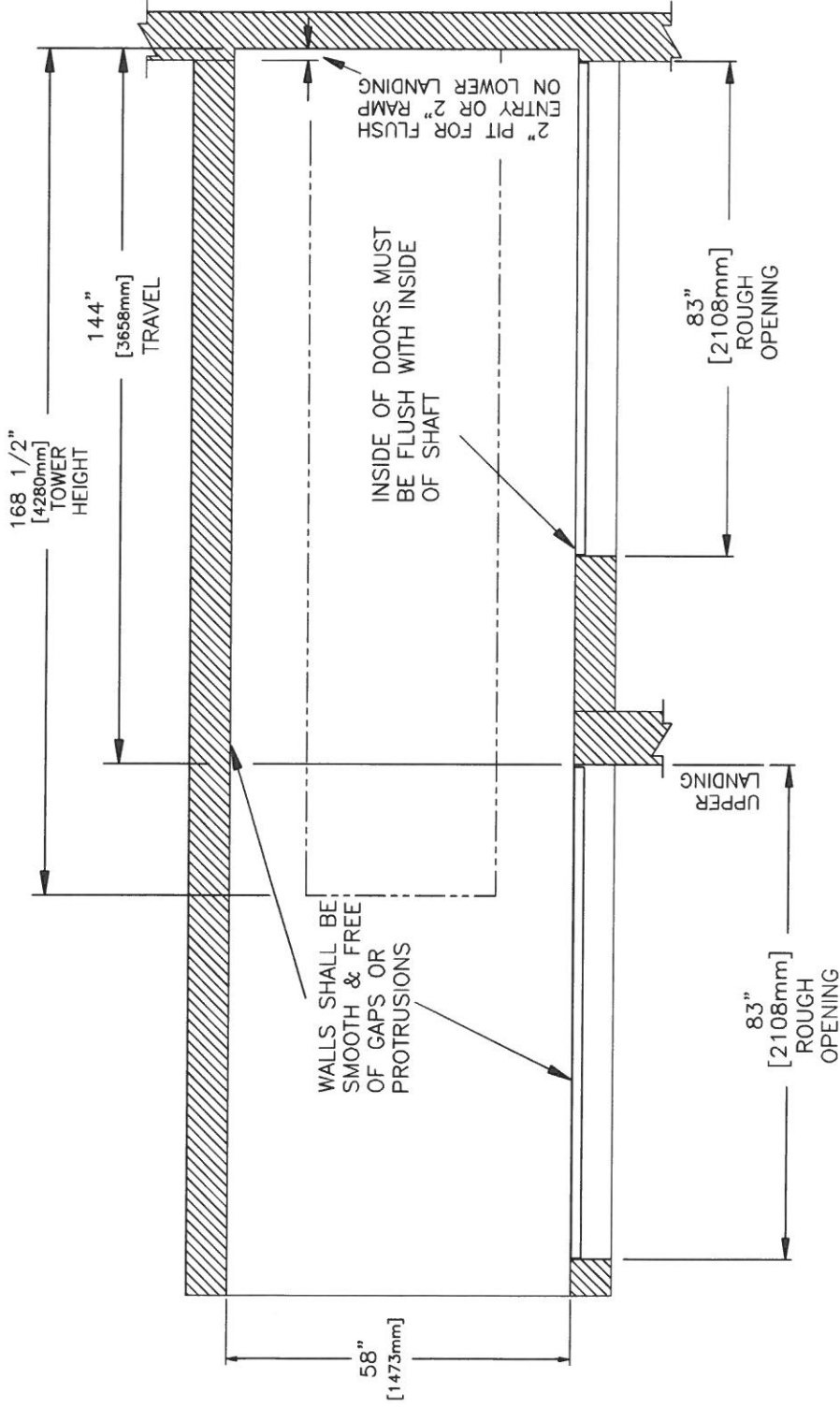
SCALE: N.T.S.

DATE: 21/ Mar/14

TRUS-T-LIFT ELEVATOR INSTALLATION DETAILS

DRAWING No. 1/2 REV  
144URRSECCNSP

NOTES:  
 - Dimensions are in inches



SECTION A-A

TOTAL TRAVEL		144 3658	INCHES mm	No. OF LANDINGS	2
LOCATION ENCLOSED TRUS<T>LIFT SAMPLE DRAWING					
ARCHITECT					
GENERAL CONTRACTOR					
DWN. BY:		TRUS-LIFT ELEVATOR INSTALLATION DETAILS			
B.G.					
CHECKED BY:					
SCALE:		N.T.S.		DATE:	21/Mar/14
				DRAWING No.	2/2
				REV	144URRSECCNSP

